

Continental[®] BATTERIES

DATA SHEET

GC2-6V

PART # GC2-6V
BCI GC2
VOLTAGE 6V



PHYSICAL SPECIFICATIONS

Battery Type	Weight	Dimensions (L x W x H)	Material	Cells	Terminal Type
Deep Cycle Flooded/ Wet Lead- Acid	58 lbs 26.3 kg	10.30 x 7.13 x 10.74" 262 x 181 x 273 mm	Polypropylene	3	1

ELECTRICAL SPECIFICATIONS

C.C.A. @ 0°F (-18°C)	C.A. @ 32°F (0°C)	Capacity Minutes @ 25 Amps	Capacity Minutes @ 75 Amps	Capacity Amp Hours (Ah) 5 hr	Capacity Amp Hours (Ah) 10 hr	Capacity Amp Hours (Ah) 20 hr	Capacity Amp Hours (Ah) 100 hr
-	-	383	104	155	175	190	210

Energy (kWh) 100 hr	Internal Resistance	Short Circuit Current
1.26	-	-

CHARGING SPECIFICATIONS

SYSTEM CHARGE	6V	12V	24V	36V	48V
Bulk Charge	7.41	14.82	39.64	44.46	59.28
Float Charge	6.75	13.50	27.00	40.50	54.00
Equalize Charge	8.10	16.20	32.40	48.60	64.80

Do not install or charge batteries in a sealed or non-ventilated compartment. Constant under or overcharging will damage the battery and shorten its life as with any battery.

OPERATIONAL DATA

OPERATING TEMPERATURE	SELF DISCHARGE
-4°F to 113°F (-20°C to ± 45°C) At temperatures below 32°F (0°C) maintain a state of charge greater than 60%.	5 - 15% per month depending on storage temperature conditions.

CHARGING TEMPERATURE COMPENSATION

ADD	SUBTRACT
0.005 volt per cell for every 1°C below 25°C 0.0028 volt per cell for every 1°F below 77°F	0.005 volt per cell for every 1°C above 25°C 0.0028 volt per cell for every 1°F above 77°F



WWW.GOCBS.COM



Continental[®] BATTERIES

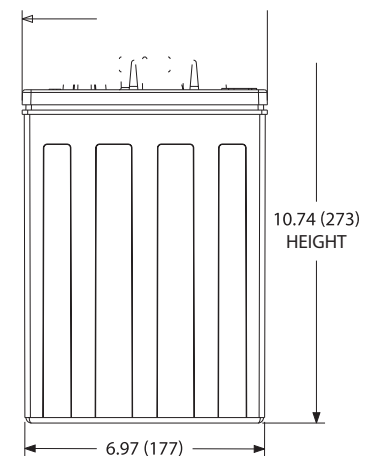
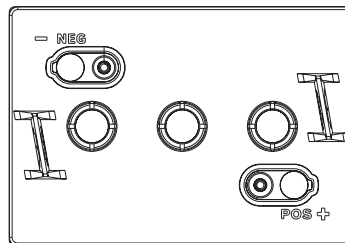
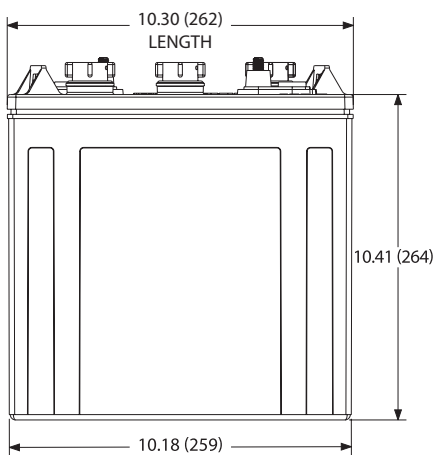
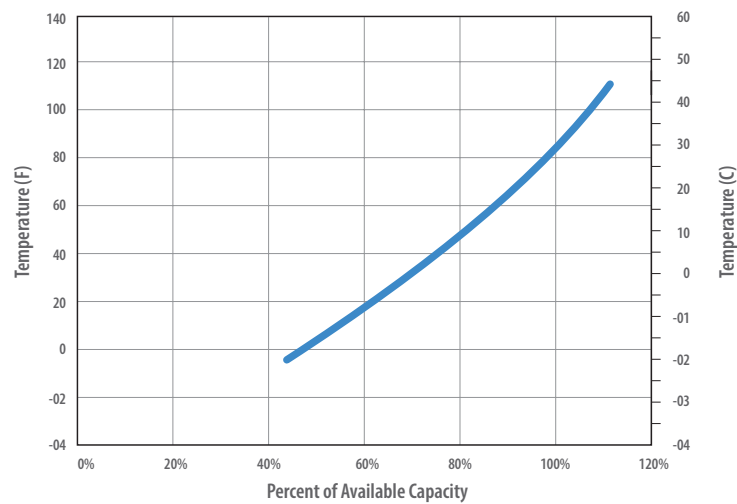
DATA SHEET

GC2-6V

PART # GC2-6V
BCI GC2
VOLTAGE 6V



Percent Capacity VS. Temperature



WWW.GOCBS.COM

