

Continental[®] BATTERIES

DATA SHEET

56-CS

PART # 56-CS
BCI 56
VOLTAGE 12V
Ah 48



PHYSICAL SPECIFICATIONS

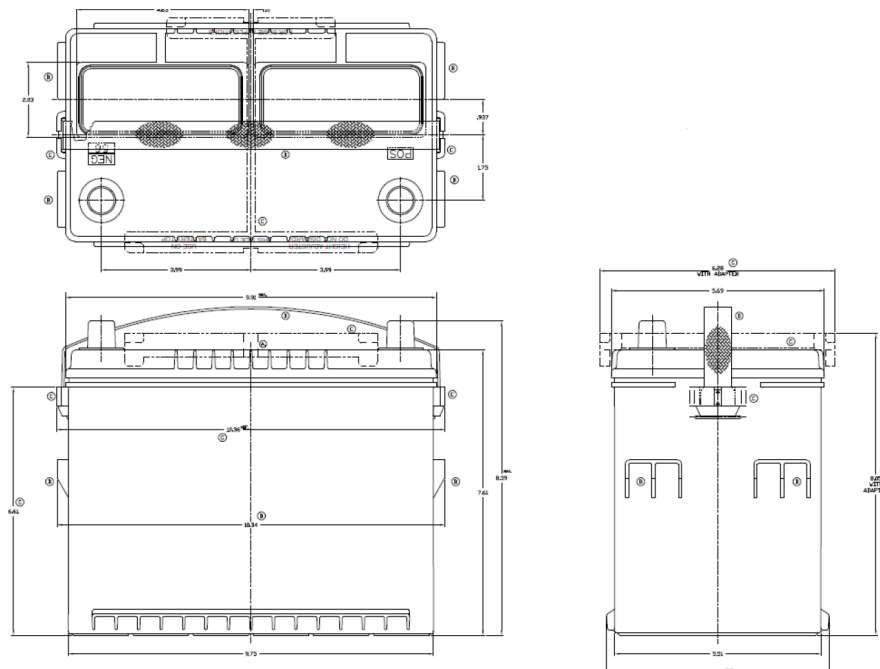
Battery Type	Weight	Dimensions (L x W x H)	Container Material	Cover Material	Seperator Material	Handle Option
Flooded	36.42 lbs 16.5 kgs	10.36 x 5.94 x 8.39" 263.1 x 150.9 x 213.1 mm	Polypropylene	Polypropylene	Polyethylene	Yes

ELECTRICAL SPECIFICATIONS

Nominal Voltage	SAE CCA (-18°C/0°F)	SAE CA (0°C/32°F)	SAE RC (27°C/80°F)	Ref. Ah Capacity 20 Hr	Battery Terminal Type	Electrolyte Specific Gravity Range
12.6 V	580 A	725 A	90 Min	48 Ah	Top Post SAE Type A	1.270-1.300

MISC SPECIFICATIONS

Maximum Discharge Current	1000 A (5 sec)
Positive Grid Alloy	Lead Calcium
Negative Grid Alloy	Lead Calcium
Terminal Polarity	- +



WWW.GOCBS.COM

