

# Continental<sup>®</sup> BATTERIES

DATA SHEET

51R-CS

PART # 51R-CS  
BCI 51R  
VOLTAGE 12V  
Ah 39



## PHYSICAL SPECIFICATIONS

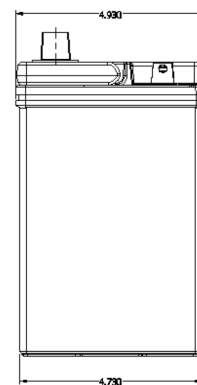
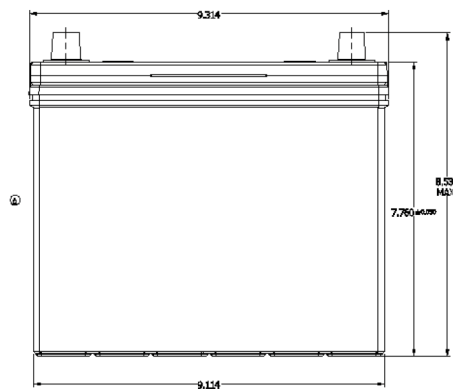
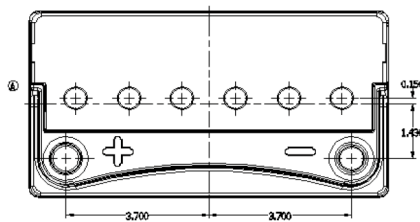
| Battery Type | Weight                | Dimensions (L x W x H)                          | Container Material | Cover Material | Separator Material | Handle Option |
|--------------|-----------------------|---|--------------------|----------------|--------------------|---------------|
| Flooded      | 25.82 lbs<br>11.7 kgs | 9.31 x 4.93 x 8.54"<br>236.5 x 125.2 x 216.9 mm | Polypropylene      | Polypropylene  | Polyethylene       | Yes           |

## ELECTRICAL SPECIFICATIONS

| Nominal Voltage | SAE CCA (-18°C/0°F) | SAE CA (0°C/32°F) | SAE RC (27°C/80°F) | Ref. Ah Capacity 20 Hr | Battery Terminal Type | Electrolyte Specific Gravity Range |
|-----------------|---------------------|-------------------|--------------------|------------------------|-----------------------|------------------------------------|
| 12.6 V          | 450 A               | 560 A             | 70 Min             | 39 Ah                  | Top Post SAE Type A   | 1.270-1.300                        |

## MISC SPECIFICATIONS

|                           |                  |
|---------------------------|------------------|
| Maximum Discharge Current | 1000 A (5 sec)   |
| Positive Grid Alloy       | Lead Calcium Tin |
| Negative Grid Alloy       | Lead Calcium     |
| Terminal Polarity         | + -              |



WWW.GOCBS.COM

